

**HANERSUN**

**HANERSUN  
PV MODULES  
INSTALLATION  
MANUAL**

---

**For Standard Dual-Glass Modules**



# CONTENTS

<b>1. INTRODUCTION</b> .....	<b>3</b>
1.1. DISCLAIMER.....	3
1.2. LIMITATION OF LIABILITY .....	3
<b>2. SAFETY PRECAUTIONS</b> .....	<b>4</b>
2.1. WARNING.....	4
2.2. GENERAL SAFETY.....	4
2.3. HANDLING SAFETY .....	5
2.4. FIRE SAFETY .....	6
<b>3. UNLOAD/TRANSPROTATION/STORAGE</b> .....	<b>7</b>
3.1. MAKERS ON OUTER PACKAGING .....	8
3.2. UNLOADING WARNNING .....	10
3.3. SECONDARY TRANSPORT AND WARNING .....	11
3.4. VERTICAL PACKAGE UNPACKING METHOD.....	13
3.5. STORAGE .....	14
<b>4. UNPACKING SAFETY</b> .....	<b>15</b>
<b>5. INSTALLATION</b> .....	<b>15</b>
5.1. INSTALLATION SAFETY.....	15
5.2. ENVIRONMENT CONDITIONS AND SITE SELECTION .....	17
5.3. TILT ANGLE OF INSTALLATION .....	20
5.4. INSTALLATION REQUIREMENTS FOR BIFACIAL CELLS MODULE.....	21
5.5. INSTALLATION METHOD.....	22
<b>6. MODULE MAINTENANCE</b> .....	<b>37</b>
6.1. PANEL VISUAL INSPECTION AND REPLACEMENT .....	37
6.2. CONNECTOR AND CABLE INSPECTION .....	38
6.3. CLEANING .....	39
<b>7. ELECTRICAL SPECIFICATION</b> .....	<b>42</b>

**APPLICABLE MODULE TYPE**

HN17-XXHXXXW; HN17-XXHTXXXW; HN17-XXHBXXXW;

HN18-XXHXXXW; HN18-XXHTXXXW; HN18-XXHBXXXW; HN18-XXHTXXXW-FL;

HN18N-XXHXXXW; HN18N-XXHTXXXW; HN18N-XXHBXXXW; HN18N-XXHTXXXW-FL;

HN21-XXHXXXW; HN21-XXHTXXXW; HN21-XXHBXXXW;

HN21N-XXHXXXW; HN21N-XXHTXXXW; HN21N-XXHBXXXW;

HN18RN-XXHXXXW; HN18RN-XXHTXXXW; HN18RN-XXHBXXXW;

HN19RN-XXHXXXW; HN19RN-XXHTXXXW; HN19RN-XXHBXXXW;

HN21RN-XXHXXXW; HN21RN-XXHTXXXW; HN21RN-XXHBXXXW;

HN21H-XXHTXXXW; HN21RH-XXHTXXXW;

**\*NOTE:**

“HN” represents Hanersun.

“N” represents TOPCon cell.

“RN” represents TOPCon Rectangle cell.

“XX” represents types of product.

“XXX” represents power class.

“H” represents half-cell module.

“B” represents all black module.

“T” represents twin glass bifacial module.

“FL” represents Frameless module.

“21H” represents HJT cell.

“21RH” represents HJT Rectangle cell.

**Thank you for choosing HANERSUN modules!**

## **1. INTRODUCTION**

This general manual applies to the installation, maintenance and use of the double-glass solar modules manufactured by Hanersun Energy Co., Ltd. (hereinafter referred to as “Hanersun” ). Failure to follow these instructions could result in personal injury or property damage.

Installation and operation of PV modules requires professional skills and should only be performed by qualified professionals. Please read the “Safety and Installation Instructions” carefully before using and operating the modules.

The word “module” or “PV module” used in this manual refers to one or more double-glass solar modules. Please keep this manual for future reference.

### **1.1. DISCLAIMER**

(1). Hanersun Energy Co., Ltd. reserves the rights to change this User Manual without prior notice. Please refer to our product lists and documents published on our website at: <https://www.hanersun.com> as these lists are updated on a regular basis.

(2). Failure of the customer to follow the requirements outlined in this Manual during the installation of the module will result in the invalidity of product's limited warranty.

(3). Hanersun is not responsible for any infringement of third party patents or any other rights arising from the use of solar PV modules.

(4). The information in this manual is based on Hanersun's knowledge and experience and is believed to be reliable, but such information including product specification (without limitations) and suggestions Do not constitute a warranty, expresses or implied.

### **1.2. LIMITATION OF LIABILITY**

Hanersun is not responsible for any form of damage, including but not limited to module operation and system installation error, and personnel injury, hurt, and property loss resulting from failure to follow the instructions in this Manual.

## **2. SAFETY PRECAUTIONS**

### **2.1. WARNING**

Before attempting to install, wire, operate and/or service the module and other electrical equipment, all instructions should be read and understood. Direct current (DC) is generated when the cell surface of the module is exposed to direct sunlight or other light sources, and direct contact with the live parts of the module, such as terminals, may result in death of personnel whether connected to the module or not.

### **2.2. GENERAL SAFETY**

Hanersun modules are designed to meet the requirements of IEC 61215 and IEC 61730 Modules rated for use in this application class may be used in system operating at greater than 50V DC or 240W, where general contact access is anticipated. Modules qualified for safety through IEC 61730-1 and IEC 61730-2 and within this application class are considered to meet the requirements for safety class II equipment.

- (1). All installation work must comply with the local codes and the relevant international electrical standards.
- (2). Hanersun recommends that PV module installation is conducted by personnel who have been professionally trained in PV system installation. Operation by personnel who are not familiar with the relevant safety procedures will be very dangerous.
- (3). Do not allow unauthorized persons to access the installation area or module storage area.
- (4). Protective clothing (non-slip gloves, clothes, etc.) must be worn during installation to prevent direct contact with 30V DC or greater, and to protect hands from sharp edges.
- (5). Prior to installation, remove all metallic jewelry to prevent accidental exposure to live circuits.
- (6). When installing modules in light rain, morning dew, take appropriate measures to prevent water ingress into the connectors, f. e. using connector endcaps.
- (7). Use electrically insulated tools to reduce the risk of electric shock.

(8). Do not use or install broken modules.

(9). External or artificially concentrated sunlight shall not be directed onto the front or back face of the PV module.

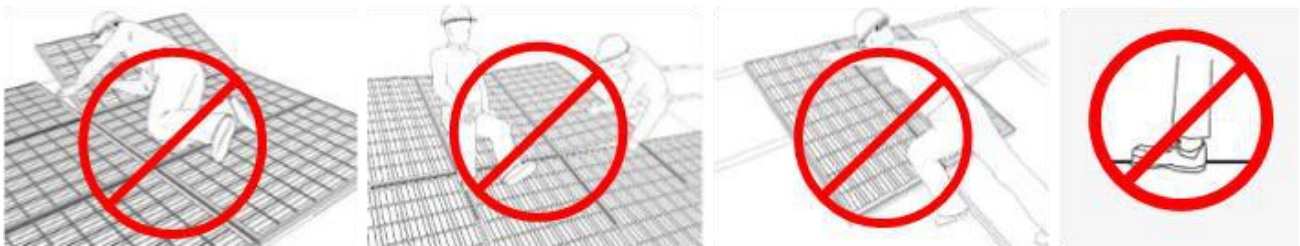
(10). Do not contact module surface if the front or rear glass is broken. This may cause electric shock.

(11). Do not attempt to repair, disassemble, move any part of the PV module. The module does not contain any reusable parts.

(12). Do not connect or disconnect the module when it is energized or connected with an external power supply.

### 2.3. HANDLING SAFETY

(1). Do not stand, walk on or lean on the module directly.



(2). Do not damage or scratch the front or backside surfaces of the module.

(3). Do not drag, scratch, bend the output cable with force or with too tight connection. The insulation of output cable can break and may result in electricity leakage or shock.

(4). If there is an open fire, please extinguish it with a dry powder extinguisher after disconnecting the power supply, cannot use liquid such as water to extinguish the fire.

(5). Do not install or handle modules when they are wet or during periods of high wind.

(6). At the installation site, take care to keep modules and in particular their electrical contacts, clean and dry before installation. If connector cables are left in damp conditions then the contacts may corrode. Any module with corroded contacts should not be used.

(7). Please do not loosen, unscrew or peel the PV module bolts and frame glue. This may lead to a reduction of the module' s load rating and potential damage from a fall.

(8). Do not drop PV modules or allow objects to fall down on the PV modules.

(9). Do not touch the terminal box or the ends of the output cables (connectors) with bare hands under sunlight, regardless of whether the PV module is connected to or disconnected from the system.

(10). Do not discard the modules at will; special recycling is required.

## **2.4. FIRE SAFETY**

(1). Please use appropriate module components to comply with local laws and regulations, as well as the building fire safety requirements before installation, such as fuses, circuit breakers and grounding connectors, etc.

(2). Hanersun modules fire rating is set according to IEC61730-2:2023 standard, and it can be found in the corresponding certificates. The Fire Class Rating of a module for roof mounted system shall meet local code requirements in order to achieve the specified System Fire Class Rating for a non-BIPV module.

(3). For roof-top installations, it is responsibility of the designers or installers to ensure that the roof is suitable not only in terms of the structural load-bearing capacity, but also the fire resistance for the installation of the PV modules in accordance to local regulation.

(4). Make sure that the rear side of the module and the mounting surface are fully ventilated. When to facilitate ventilation and heat dissipation of the module, the minimum distance between the lower edge of the module frame and the highest point of the mounting surface must be  $\geq 10\text{cm}$ . For special installation methods, such as on corrugated metal sheets, the distance between the lower edge of the module frame and the roof shall be determined by the installer according to local regulations, Adequate ventilation must be ensured under local climatic conditions to keep the module within its operating temperature range. For minimum clearance requirements for other special cases, please contact Hanersun' s technical support department.

(5). Different roof structures and installation modes will affect fireproof performance of buildings. Improper installation may lead to the risk of fire.

(6). Do not install the modules anywhere close to open flames or flammable materials (hay, straw, wood, solvents, oils,etc.), or exposed to flammable and explosive gases.

### 3. UNLOAD/TRANSPORTATION/STORAGE

Precautions and general safety rules:

(1). Modules should be stored in a dry and ventilated environment to avoid direct sunlight and moisture and extra precautions should be taken to prevent connectors from being exposed to moisture or sunlight, like using connector endcaps.

(2). The modules should be stored in the original Hanersun package before installation. Protect the package from damage. Unpack the modules as per the recommended unpacking procedures. The whole process of unpacking, transport and storing should be handled with care.

(3). Before installation, ensure that all modules and electrical contacts are clean and dry.

(4). Unpacking must be carried out by two or more persons at the same time.

(5). Handling the modules requires two or more people with nonslip gloves and both hands.

(6). Do not lift modules by their wires or junction box.

(7). Do not handle the modules over-head or stack the modules.

(8). Do not place excessive loads on the module or twist the module.

(9). Do not drop or place objects (such as tools) on the modules.

(10). Do not put the modules in a place that is not supported or stable.

(11). Do not allow the modules to come in contact with sharp-pointed objectives to prevent them from scratches, avoiding a direct impact on the safety of modules.

(12). Do not expose the modules and its connectors to any chemical substance (e.g. oil, lubricant, pesticide, etc.).

(13). Before the secondary transportation vehicle is started, it should be bundled with net ropes. The rope should be fastened to prevent damage to the modules during the transportation. The speed of the vehicle carrying the modules should be  $\leq 5$  km/h.

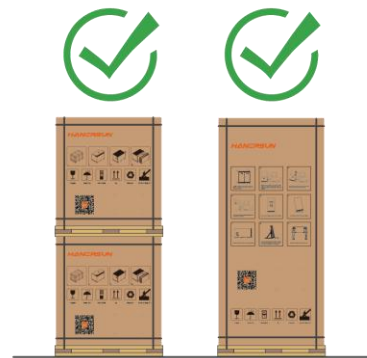
(14). In any circumstances, for vertical landscape packages, it shall not be stacked more than two layers; for vertical portrait packages, stacking is not allowed. Example for vertical landscape package and vertical portrait package is shown as follows:



Vertical landscape package  
(short-side vertically placed)







Vertical portrait package  
(long-side vertically placed)



Right Examples

**3.1. MAKERS ON OUTER PACKAGING**

<p>3.1.1. Need both hands to handle it carefully.</p> 	<p>3.1.2. Uninstalled modules must be kept dry, not expose to rain or moisture.</p> 
<p>3.1.3. Modules in carton are fragile, which must be handled with care.</p> 	<p>3.1.4. The packaging must be transported upright.</p> 

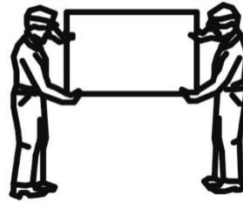
3.1.5. Do not step on the package and module.



3.1.6. Modules shall be stacked as required, not exceeding the maximum number of layers printed on the outer packaging. (no more than two layers).



3.1.7. One module shall be handled by at least two persons together. Modules are placed vertically.

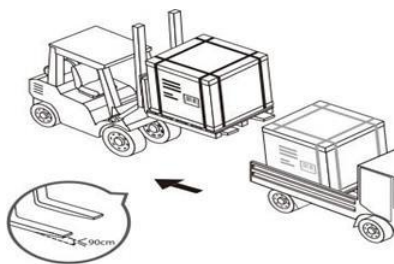


**3.2. UNLOADING WARNING**

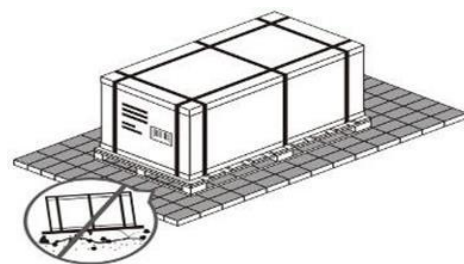
3.2.1. When crane is used to unload the modules, please choose and use specialized tooling according to the weight and size of the module. Before lifting, check whether the tray and the carton are damaged and whether the hoisting ropes are strong and firm. Please adjust the position of the sling to keep the modules steady. To ensure the safety of the module, wooden sticks, boards or other fixtures of the same width as the outer packing cases should be used on the upper part of the box to prevent the sling from squeezing the pallet and damaging the modules. When placing the modules, do not lower the packing box too quickly. Two people shall support at the two sides of the righting carton gently to place it on a flat ground. **For vertical landscape packages, do not lift up more than FOUR pallets of modules at once; for vertical portrait packages, do not lift up more than TWO pallet of modules at once. Do not unload modules under the weather conditions of wind more than 6 class (in Beaufort scale), heavy rain or heavy snow.**



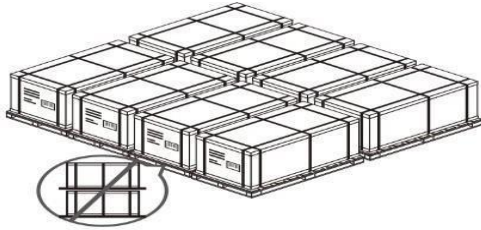
3.2.2. Use a forklift to remove the module pallets from the truck.



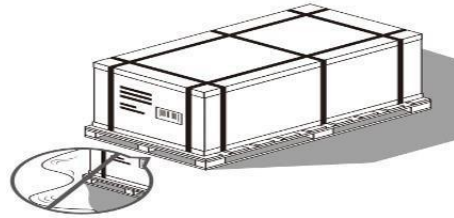
3.2.3. Put the modules on level ground.



3.2.4. Do not stack the modules at the project site.



3.2.5. Store the module in a dry and ventilated place.

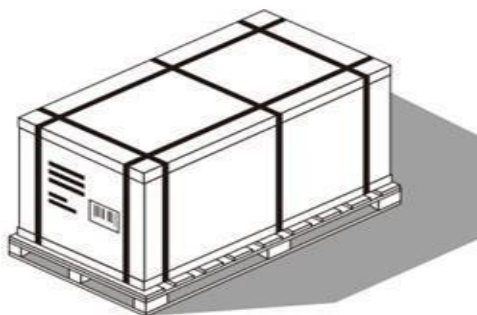


3.2.6. Cover the module with waterproof material to prevent it from moisture.

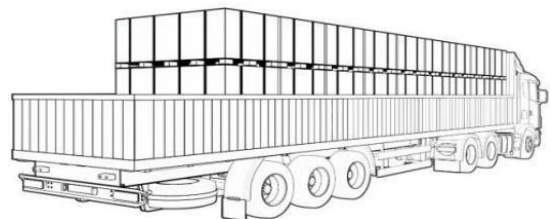


**3.3. SECONDARY TRANSPORT AND WARNING**

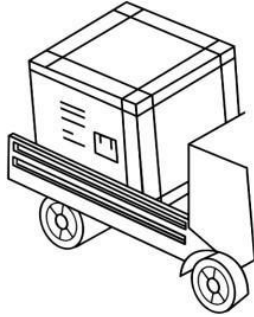
3.3.1. Do not remove the original packages if the modules require long-distance transport or long-term storage.



3.3.2. Packaged products can be transported by land, sea or air. During transportation, make sure that the package is fixed securely to the shipping platform without movement. Do not Stack more than two layers on truck.



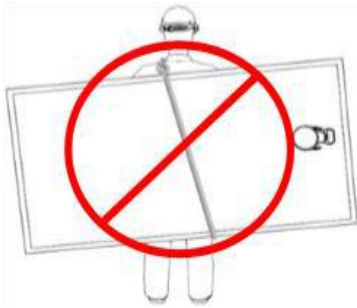
3.3.3. Only one layer stacking is only allowed for transport at the project site.



3.3.4. No transport or handling by pedi-cab or improper vehicle as shown below.



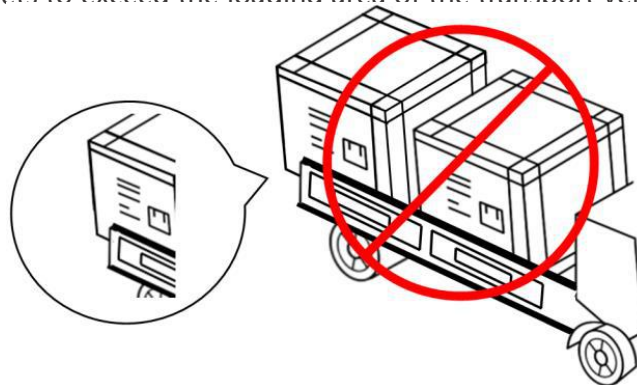
3.3.5. Do not transport the module with rope as shown below.



3.3.6. Do not carry the modules on the back of one person as shown below.



3.3.7. Do not allow pallets to exceed the loading area of the transport vehicle.



**3.4. VERTICAL PACKAGE UNPACKING METHOD**

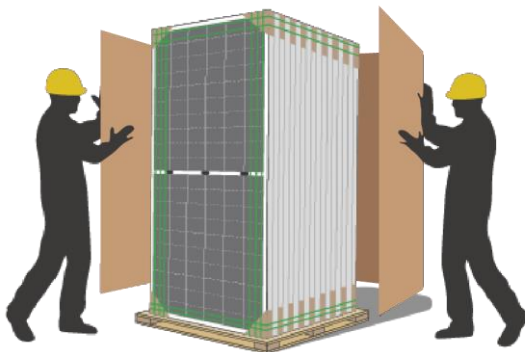
3.4.1. Cut the strapping and remove the tangles.



3.4.2. Remove the top cover and unpack the sealer.



3.4.3. Remove the carton.



3.4.4. Insert the unpacking bracket from the glass side of the assembly to the bottom of the tray.



3.4.5. Cut all horizontal strapping.



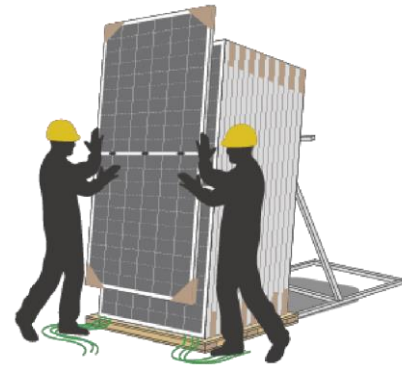
3.4.6. Slowly push to tilt the module towards the frame when there are 1-2 vertical straps left.



3.4.7. Cut the remaining strapping so that the assembly rests on the cushion.



3.4.8. Moving modules in sequence.



### 3.5. STORAGE

(1). Do not remove the original packaging if the module requires long-distance transport or long-term storage.

(2). Do not expose the modules to rain or moisture. Store the finished product in a well ventilated, waterproof, dry and smooth place.

(3). Do not stack modules more than 2 layers for vertical landscape packages. Do not stack modules more than 1 layer for vertical portrait packages. (moisture < 85%RH, temperature range from -40°C to + 50 °C) .

(4). The module must be installed as soon as possible in the project site and must not be exposed to rain or damp. Hanersun shall not be responsible for any damage or collapse of the modules caused by moisture in the packaging.

(5). For long-term storage, it is recommended to store the modules in a standard warehouse with regular inspection, and under confirming of your personal safety, reinforce the package in a timely manner if any anomalies are found.

(6). If you need to store the modules in the project site, do not choose soft ground and the ground that is easy to collapse, should choose a hard ground or a higher ground with flat surface to ensure the module packages not collapsing and tilting for long-term storage.

(7). Do not allow unauthorized persons to access the module storage area.

(8). Do not leave modules unsupported or unsecured.

(9). The modules should be centrally stored and it is recommended to keep the distance between the pallets within 10cm.

## **4. UNPACKING SAFETY**

(1). For unpacking outdoors, it is prohibited to operate in rainy conditions. Because the carton will become soft and damaged after it gets wet in the rain. The stacked PV modules (hereinafter referred to as "modules") may tip over, which may cause damage or injury to personnel.

(2). For a windy site, it is necessary to pay special attention to safety. Especially, it is not recommended to transport or unpacking the modules in high wind conditions. The unpacked modules must be tied down to avoid any unwanted movement.

(3). The work surface is required to be level to ensure that the package can be placed stably, avoiding sliding.

(4). Wear protective gloves during unpacking to avoid hand injury and fingerprints on the glass surface.

(5). Each module shall be handled by two persons. It is forbidden to pull the wires or junction boxes and frame of the modules to carry the module.

(6). If all the modules are not taken out after unpacking, the remaining modules shall be placed horizontally and repackaged to prevent them from tipping. When packaging, please note that the glass side of the bottom module should face up, the glass side of the middle modules should face down, and the glass side of the top module should face up. Stacks of modules should contain no more than 16 modules, and the frames should be aligned.

In addition to the above points for attention, consider professional on-site unpacking, exception handling rules, please refer to Hanersun "Spec. for PV Module Unloading, unpacking and Secondary Transferring" .

## **5. INSTALLATION**

### **5.1. INSTALLATION SAFETY**

(1). Hanersun modules can be mounted in landscape or portrait orientation, the impact of dirt shading the solar cells can be minimized by orienting the product in landscape. Please pay attention that the modules can only be installed on vertical racking not horizontal racking when customers choose landscape mode. For all PV modules, Hanersun does not recommend short side installation.

(2). Always wear dry insulation protection equipment: insulated tools, head gear, insulated gloves, safety belt and safety shoes (with rubber soles).

(3). Make sure flammable gasses are not generated or present near the installation site.

(4). Do not install modules under rain, snow or windy conditions. Place disassembled PV modules correctly.

(5). Keep the PV module packed in the carton until installation. Please install immediately after unpacking. Please keep the connector dry and clean during installation to avoid the risk of electric shock. Do not perform any work if the terminals of PV module are wet, until they are dry.

(6). Please take measures to insulate during PV module installation and wiring.

(7). Do not touch the junction box and the end of the interconnect cables (connectors) with bare hands during installation or under sunlight, regardless if the PV module is connected to or disconnected from the system.

(8). During installation, if PV modules are touched by bare hands, there is a risk of scalding or electric shock.

(9). Do not hit or put excessive load on the front or back of PV modules, this may break the cells or cause micro cracks.

(10). Do not unplug the connector if the system circuit is connected to a load.

(11). Do not stand on the module glass. There is a risk of injury or electric shock if glass is broken.

(12). Do not work alone (always work as a team of 2 or more people).

(13). Do not damage the back glass of PV modules when fastening the PV modules to a support with bolts.

(14). Do not drill holes in the frame. It may cause corrosion of the frame or PV modules burst.

(15). Do not damage the surrounding PV modules or mounting structure when replacing a PV module.

(16). Cables should be fixed in the area not exposed to direct sunlight to prevent cables aging.

(17). Protective measures must be taken in the process of installation to avoid force extrusion or impact on the modules.

(18). The open area should minimize arc coil, which can reduce the risk of induced lightning impact on PV module.

(19). When installing modules on roof mounted structures, please try to follow the “from top to bottom” and/or “from left to right” principle, and don't step on the module. This will damage the module and would be dangerous for personal safety.

(20). The mechanical loads described in this manual are the test loads. For calculating the equivalent maximum design loads, a safety factor of 1.5 (Mechanical loads=Design loads×1.5 security coefficient) needs to be considered in compliance with the requirements of the local laws and regulations. The design loads are strongly related to the construction, applied standards, location and local climate conditions; therefore, have to be determined by the racking suppliers and/or the professional engineers. For detailed information, please follow local structural code or contact your professional structural engineer.

(21). We recommend that you insure your solar system against natural hazards (e.g. against lightning strikes).

## 5.2. ENVIRONMENT CONDITIONS AND SITE SELECTION

Hanersun module should be installed in the following environmental conditions.

**Table 5-1 operation condition**

NO	Environmental conditions	Range
1	Ambient temperature	-40°C~ +40°C
2	Storage temperature	-40°C ~ +50°C
3	Humidity	< 85RH%

**Remarks:** The working environment temperature is the monthly average maximum temperature and minimum temperature of the installation site. The mechanical load bearing capacity of the solar PV

modules determined based on the installation method. The professional solar PV system installer must be responsible for calculating the solar PV system machinery when designing the solar PV system load bearing capacity.

If you are planning to use the PV modules where the water damage (Humidity: > 85RH%) may be possible, please consult with Hanersun technical support firstly to determine an appropriate installation method, or to determine whether the installation is possible.

As described in IEC TS 63126, based on geographic areas, mounting conditions and system design and installation factors, where the anticipated 98th percentile module operating temperature will be lower than 70°C, PV modules and all the equipment are rated to operate at an altitude less than 2 000 m above sea level.

For most places, Hanersun PV modules should be installed where the sunlight can be maximally acquired throughout the year. In the Northern Hemisphere, the PV modules should typically face south, and in the Southern Hemisphere, the PV modules should typically face north.

When selecting the installation location, avoid areas with trees, buildings, or obstacles because these objects will form shadows on solar PV modules, especially when the sun is at the lowest position on the horizon in winter. The shadow will cause the loss of the output power of the solar photovoltaic system. Although the bypass diode installed in the PV module can reduce this loss to some extent, do not ignore the shadow factor.







Do not install solar PV modules near fire or flammable materials. Do not install solar PV modules where there is water soaking, sprinkler or water spray.

Position the modules to minimize the chances of shading at all times of the day. Try to install modules in a location where there is rare shading throughout the year.

According to IEC 61701, salt mist corrosion testing of photovoltaic (PV), Hanersun PV modules can be installed in corrosive salt areas within proximity of the ocean or sulfurous areas. The module must not be soaked in the water or in the environment (i.e., fountain, spindrift, etc.) where the module would touch water (pure water or brine) for a long term. If the modules are placed in an environment of salt fog (i.e., marine environment) or sulfur (i.e., sulfur sources, volcanoes, etc.), there is a risk of corrosion. It' s not recommended to install the modules, when the distance is less than 100m ; and it' s recommended to install the modules with the anti-salt function, when the distance is between 100m and 1km. So stainless steel or aluminum materials must be used to contact the PV modules, and the installation position must be processed with anti-corrosion treatment. When modules are installed on land less than 1km away from the sea or in an area where the annual rainfall hours / total annual hours

exceed 25%, the connectors are recommended to install waterproof cold shrinkable tubes to prevent the connector from water inlet and corrosion; Silicone rubber is recommended for the material of cold shrinkable tube.

**Table 5-2 Photovoltaic module connector accessories**

Procedure	Method	Explanatory Chart
1	After unplugging the photovoltaic connector, take either end and cover the cold shrinkable tube to the connector in the direction shown on the right.	
2	Slide the cold shrinkable tube over the head of the connecting head and expose the head.	
3	Connect the positive and negative connectors in the correct way.	
4	Move the connection to the middle of the cold shrinkable tube.	
5	Pull the inner ring exposed in the cold shrinkable tube by hand, rotate and pull it out again and again until the inner ring is completely pulled out.	
6	The cold shrinkable tube has completely cold shrinkable seal connectors.	

According to IEC62716 “Ammonia corrosion testing of photovoltaic (PV) modules” , Hanersun modules can be safely installed in ammonia-heavy environments, such as farm, meadow and so on.

IEC62716.

According to the surrounding environment of the project, use the appropriate protective measures to ensure the safety of the module installation and reliable. For example, it needs to have around the windproof measures like design of windbreaks in strong wind area.

The system design needs to have the lightning protection function, it must pay more attention especially in the installation ground where are more lightning strike.

When installing PV modules on a roof, the roof must be covered with a layer of fireproof material applicable to this class, and adequate ventilation must be ensured between the back of the module and the installation surface. A safe working area also must be left between the edge of the roof and the external edge of the solar array.

In the case of residential installations on the ground, modules must be installed following local regulations, e.g. using fence.

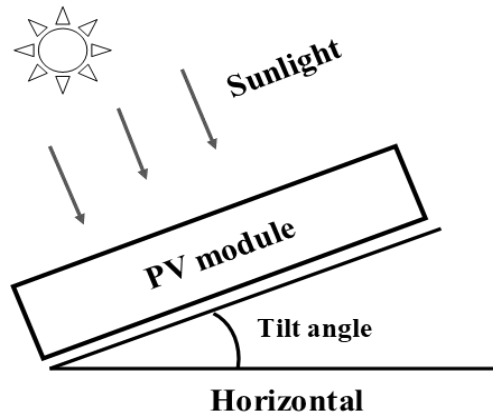
### **5.3. TILT ANGLE OF INSTALLATION**

The installation of PV module string should be in the same orientation and the same installation angle. Different installation directions and installation angles will lead to the mismatches in current and voltage which is caused by different light absorption of different PV modules, this mismatch will cause the PV system power output loss.

The largest power will be generated when direct sunlight on solar PV module. For modules which are installed on the fixed brackets, the best installation angle should be selected to ensure the maximum power output can be generated at winter time, if the angle can guarantee enough power output during the winter, it will make the whole solar PV system in the rest of the year can have enough power output also.

Solar modules are recommended to be installed at an optimized tilt angle to maximize the energy output. For detailed information on the best installation angle, please refer to standard solar photovoltaic installation guides or consult a reputable solar installer or systems integrator. Dust building up on the surface of the modules can impair module performance. Hanersun recommends installing the modules with a tilt angle of at least 10°, making it easier for dust to be washed off by rain. Any faults caused by and/or attributable to tilt angle less than 10 degrees are not covered by manufacturer's warranty. It is roughly equal to the latitude of the project site as a rule of thumb, facing toward the equator. Optimized system designs must incorporate other local requirements.

Installation inclination refers to the Angle between the module and the ground plane, as shown in Figure 5-1.



**Fig. 5-1 Tilt angle**

**Table 5-3 Recommended tilt angle for fixed systems**

Latitude	Tilt angle
0° ~ 15°	15°
15° ~ 25°	The same latitude
25° ~ 30°	Same latitude +5°
30° ~ 35°	Same latitude +10°
35° ~ 40°	Same latitude +15°
40°+	Same latitude +20°

**5.4. INSTALLATION REQUIREMENTS FOR BIFACIAL CELLS MODULE**

Under the certain installation conditions, the backside of bifacial cells module will also generate electricity power after receiving the reflected light, which will bring additional power generation gain to the power station system(Note: The side with the nameplate is the rear side of the module).

The shading on the module surface will affect the power generation much, the module should be

installed in the place where the module cannot be shadowed totally (such as the shadow from building, chimney and tree etc.), and even the partially shading (such as the dirt, snow and aerial wire etc.) should be avoided.

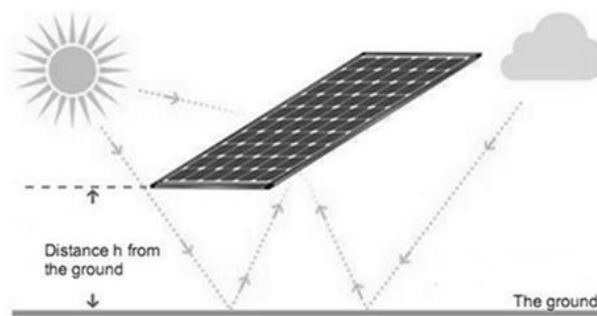
The generation gain is related to the ground reflectivity, the module installation height to the ground, the array spacing and the shadow shading to the module backside.

Generally speaking, the reflectance is various with the different ground (See table 5-4), and this will lead to different power generation gain.

**Table 5-4 reflectivity of different surfaces**

The ground type	Water	Grassland	Ground	Concrete	Sand	Snow
Reflectivity range (%)	5-12	12-25	20-33	20-40	20-40	80-85

Due to the different ground clearance height will affect the power generation gain, it is recommended to install the module at a height from 1m to 2m. See Fig. 5-2.



**Fig. 5-2 Distance from the earth**

In the system design, besides the ground type and the module installation height to ground, the proper array spacing and how to avoid shadow shading on the back need to be considered too, please consult with the professional system designer.

**5.5. INSTALLATION METHOD**

### **5.5.1. MECHANICAL INSTALLATION AND WARNING**

It is recommended to install PV modules using the clamp method only. The modules must be installed according to the following examples and recommendations. If a different installation method is desired, please contact Hanersun customer service or technical support team for consultation. Improperly mounted modules maybe damaged. If alternative mounting method is used that has not been approved by Hanersun, the modules will not continue to carry a valid warranty.

Modules shall not be subjected to wind or snow loads which is exceeding the permissible maximum load limit, and shall not be subjected to excessive forces due to the thermal expansion of the support structures. The selection and design of mounting bracket shall be carried out by professional system engineers after the load calculation according to the climatic conditions of the installation site. Ensure the installation method and supporting system of modules is strong enough to withstand all the load conditions. The Installer must provide this guarantee. The installation supporting system must be tested by the third-party organization with the analysis ability of Static Mechanical, according to the local national or international standards.

The modules shall be mounted on continuous rails that extend beneath the modules. If modules are mounted without continuous rails, the maximum allowable load will be reduced , which needs to be re-evaluated by Hanersun.

Please ensure that the modules with the same color cells to be installed together.

The minimum clearance between two adjacent single cell modules must not be less than 10mm. The minimum clearance between two adjacent bifacial cell modules must not be less than 20mm. If there are special requirements, please confirm with Hanersun and install it.

The module frame drain holes cannot be blocked in any situation during installation or use.

Always keep the back of the PV module from coming into contact with foreign bodies or support components, which may damage the module when it is subjected to mechanical load.

The module frames will warp at low temperature. Avoid the frame receiving the lateral tension and pressure, causing the frame off or crushing the glass.

The mounting method must not result in the direct contact of dissimilar metals with the aluminum frame of the module as it will result in galvanic corrosion. IEC 60950-1 standard recommends metal combinations not exceed an electrochemical potential difference of 0.6V.

To maximize mounting longevity, Hanersun strongly recommends the use of corrosion proof

(stainless steel) attachment hardware.

Secure the module in each mounting location with an M8 bolt and a flat washer, spring washer and nut and tighten to a torque of 16~20N.m. The yield strength of bolt and nut should not be less than 450 MPa. The tightening step is as follows:

- a. Use torque wrench to tighten nut to target torque: 16~20N.m;
- b. Nut loosen 90~180 degrees;
- c. Finally tighten the nut to the target torque and reduce the torque attenuation;

All parts in contact with the modules should use flat stainless steel washers of minimum 1.8mm thickness with an outer diameter of 20-24mm (Except for single-axis tracking system) ;

Flat stainless steel gaskets with a minimum thickness of 1.5mm and an external diameter of 16-20mm shall be used in all parts of the components connected to the Single-axis tracking system;

The installation method listed below are for your reference only, the PV system installer or the trained professionals should take the responsibility of the PV system design, mechanical load calculation, install, maintenance and safety, Hanersun will not supply the related material for system installation.

**Tools:** screwdriver, wrench, stainless steel screw/bolt, clamp, nut and spring washer, plain washer.

### **Mounting with Clamps applied for framed Double-glass and Bifacial double-glass**

Hanersun has tested its modules with a number of clamps from different manufacturers, it is recommended to use fixing bolt of at least M8. The length of clamp  $\geq 50$ mm, thickness  $\geq 3$ mm. The clamp shall not be malfunctioned due to deformation or corrosion during the loading process. If the customer needs a different size of clamps, it should be fully evaluated and approved by Hanersun.

The clamp must overlap the module frame by at least 8mm but no more than 12mm.

Use at least 4 clamps to attach modules to the mounting rails.

Modules clamps should not come into contact with the front glass and must not deform the frame.

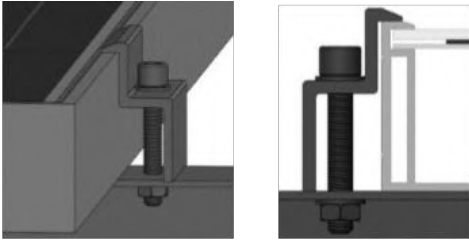
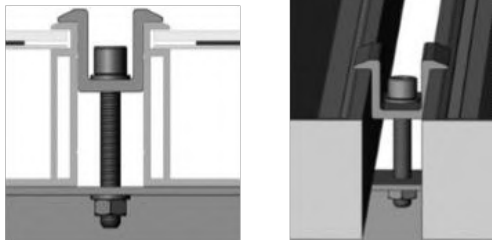
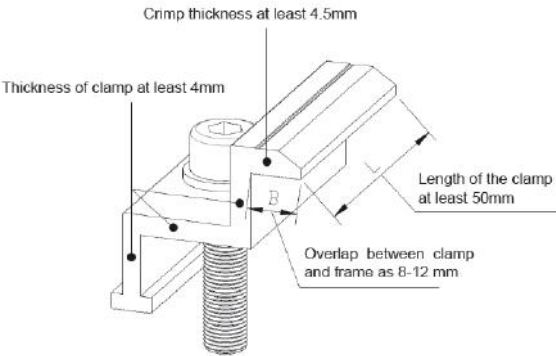
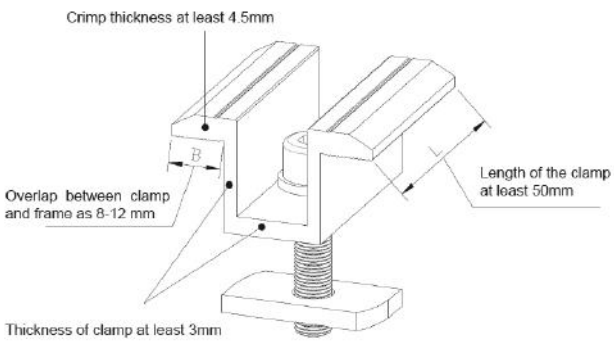
Be sure to avoid shadowing effects on the solar cells from the module clamps.

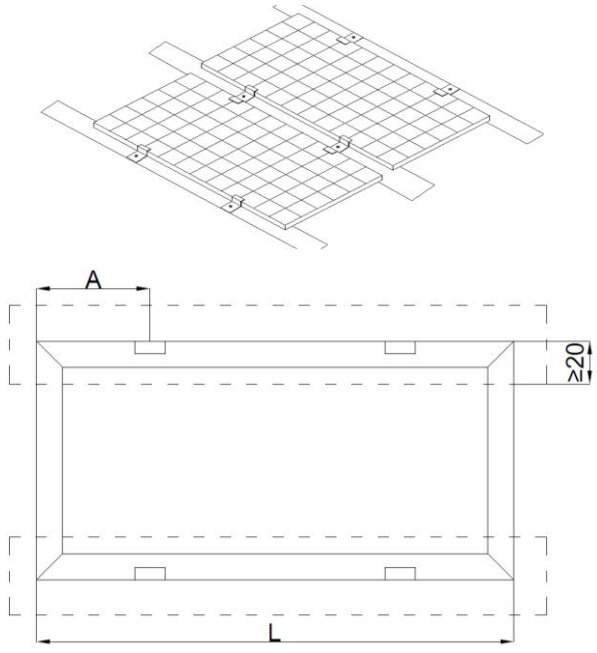
The module frame is not to be modified under any circumstances.

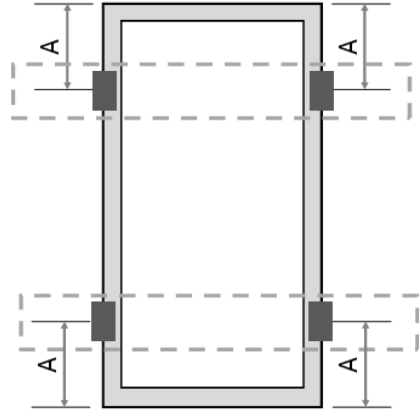
When choosing this type of clamp-mounting method, use at least four clamps on each module, two clamps should be attached on each long sides of the module (for portrait orientation). Depending

on local wind and snow loads, additional clamps may be required to ensure that modules can bear the load.

Applied torque should refer to mechanical design standard according to the bolt customer is using, ex: M8 16-20N.m.

End Clamp Installation	Middle Clamp Installation
	
	

Module	Mechanical Loading Test	Mounting Direction
<p>Long Side Length ≤ 2400mm</p>	<p>Front side ≤ +2800Pa Back side ≤ -2400Pa</p>	 <p style="text-align: center;"><math>A = 1/4L \pm 50\text{mm}</math>; <math>L = \text{Module length}</math></p> <p><b>*NOTE:</b></p> <ol style="list-style-type: none"> <li>1. The crossbeam is parallel to the long side.</li> <li>2. The above described distance is from the module edge to the middle of the clamp. Clamps length ≥ 50mm.</li> <li>3. Overlapping length(perpendicular to the long side direction) of mounting rails and long side of module no less than 20 mm.</li> <li>4. The load is an empirical value of a standard module based on a standard installation mode, and the specific information shall be consulted by Hanersun.</li> </ol>

<p>Long Side Length <math>\leq</math> 2400mm</p>	<p>Front side <math>\leq</math> +5400Pa Back side <math>\leq</math> -2400Pa</p>	 <p><math>A = 1/4L \pm 50\text{mm}</math>; <math>L = \text{Module length}</math></p> <p><b>*NOTE:</b></p> <ol style="list-style-type: none"> <li>1. The crossbeam is perpendicular to the long side frame.</li> <li>2. The above described distance is from the module edge to the middle of the clamp. Clamps length <math>\geq</math> 50mm.</li> <li>3. Need two support rails below the PV module to make sure the Mechanical load.</li> </ol>
--	---	---

**\*NOTES:**

Other mounting configurations can be used. However, failure to comply with the above recommendations will result in a lowering of the load handling capabilities below the empirical value, and product failure as a result of an overload situation will not be covered by the Hanersun warranty.

**Mounting with Clamps applied for frameless Bifacial double-glass**

Hanersun has tested its modules with a number of clamps from different manufacturers, it is recommended to use fixing bolt of at least M8. The length of clamp  $\geq$  150mm, thickness  $\geq$  3mm. The clamp shall not be malfunctioned due to deformation or corrosion during the loading process. If the customer needs a different size of clamps, it should be fully evaluated and approved by Hanersun.

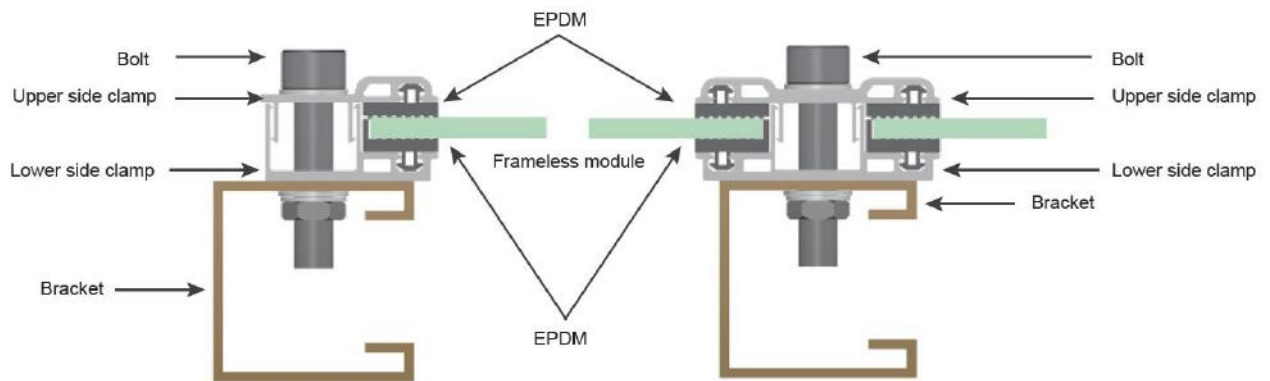
Use at least 6 clamps to attach modules to the mounting rails, three clamps should be attached on each long sides of the module.

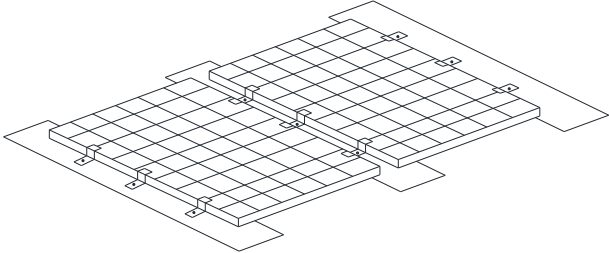
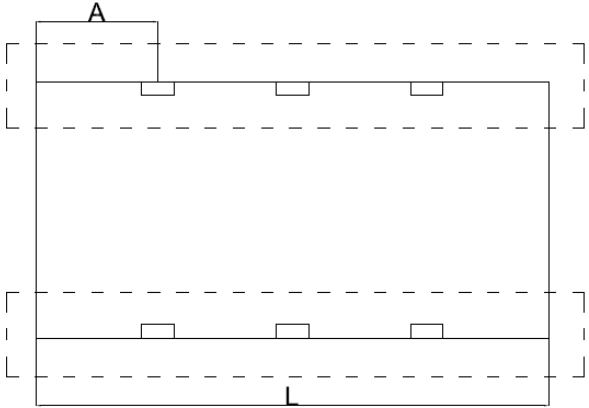
Modules clamps should not make glass winding.

Be sure to avoid shadowing effects on the solar cells from the module clamps.

Depending on local wind and snow loads, additional clamps may be required to ensure that modules can bear the load.

Applied torque should refer to mechanical design standard according to the bolt customer is using, ex: M8 16-20N.m.



Module	Mechanical Loading Test	Mounting Direction
<p>Long Side Length ≤ 2400mm</p>	<p>Front side ≤ +3600Pa Back side ≤ -2400Pa</p>	  <p>A=300~400mm; L=Module length</p> <p><b>*NOTE:</b></p> <ol style="list-style-type: none"> <li>1. The crossbeam is parallel to the long side.</li> <li>2. The above described distance is from the module edge to the middle of the clamp. Clamps length ≥150mm.</li> <li>3. The load is an empirical value of a standard module based on a standard installation mode, and the specific information shall be consulted by Hanersun.</li> </ol>

**\*NOTES:**

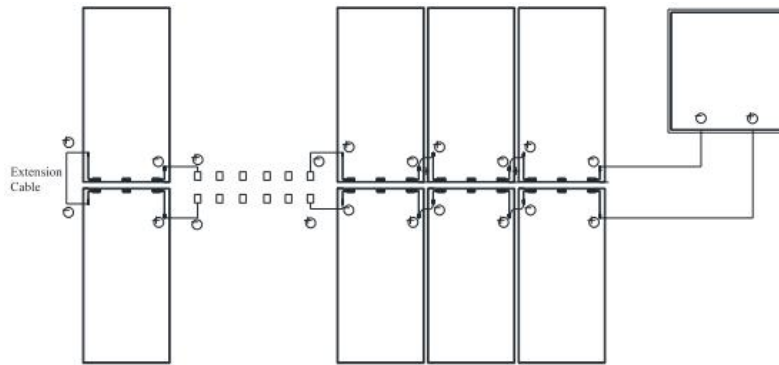
Other mounting configurations can be used. However, failure to comply with the above recommendations will result in a lowering of the load handling capabilities below the empirical value,

and product failure as a result of an overload situation will not be covered by the Hanersun warranty.

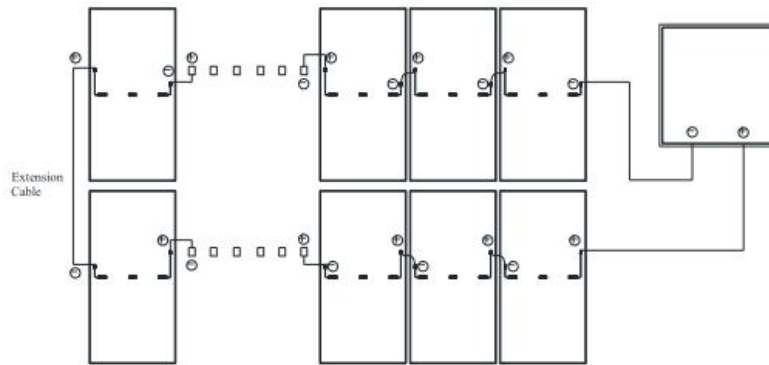
**5.5.2. ELECTRICAL INSTALLATION**

(1). Cable layout

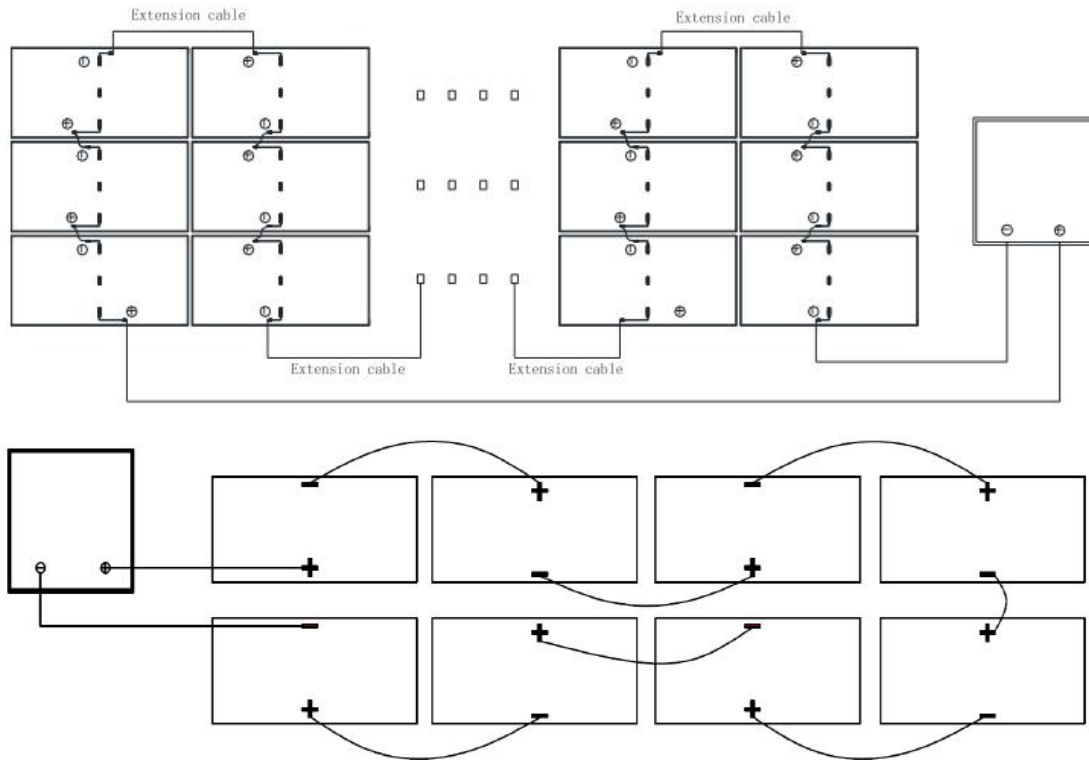
The recommended vertical installation connection methods for module with split J-Box are as follows (The extension cable is required).



**Fig. 5-3 Split J-Box at module side position for vertical direction**



**Fig. 5-4 Split J-Box at module middle position for vertical direction**



**Fig. 5-5 Split J-Box at module middle position for horizontal direction**

**Precautions:** To minimize risk in the event of an indirect lightning strike, avoid forming loops when designing the system. In order to avoid bad or damaged connection of the cable and connector, the cable and junction box caused by human factors, affecting the electrical safety or service life of the product, it is recommended that the force applied between the cable and connector, cable and junction box shall not be greater than 60N during the installation, dismantling, maintenance and any other related process of the product.

Pay attention to the direction of the wire when installing the modules. It should be connected along the wire direction to avoid bending the wire.

(2). Electrical Connection

The Direct Current (DC) generated by the PV system can be converted to Alternating Current (AC) and connected to the public power grid. Different regions may have different policies, laws and regulations to stipulate the installation and grid-connection requirements of PV systems. Therefore, during the design, installation and grid-connection of PV system, please comply with the local policies, laws and regulations.

PV modules can obtain different current and voltage outputs through series connection and parallel connection. Read this installation manual carefully before electrical connection and installation. Please design and connect according to the current and voltage required by customers. Before

connection, please ensure that the connection part is free from corrosion, and keep it clean and dry.

Different types of modules cannot be connected in series. Modules connected in series should ensure the consistency of their current (for the rest of modules with different current classes, the modules with adjacent current class can be installed in one given string.). The voltage of the module string should not exceed the allowable system voltage value, which can be found on the nameplate or datasheet of the module.

The standard copper cables applied in Hanersun modules are UV resistant and with a cross-sectional area of  $\geq 4 \text{ mm}^2$  (12 AWG). All other cables used to connect the DC system should have a similar (or better) specification.

The maximum number of modules in series depends on the system design, the type of converter used and the environmental conditions. In general, the maximum number (N) of PV modules in series can be calculated by dividing the maximum system voltage by the open circuit voltage of the relevant solar PV modules. When designing the solar PV system, it is necessary to take into account the characteristic that the voltage of the solar PV module changes with the temperature. Considering the voltage increase caused by temperature drop in extreme environment in winter, the maximum series connection number of solar PV modules can be calculated by the following formula.

**Table 5-5 maximum series connection number calculation**

Formula	Maximum system voltage $V \geq N * V_{oc} * [1 + \beta * (T_{min} - 25)]$
<b>V</b>	Maximum system voltage
<b>N</b>	The number of maximum solar PV modules in series
<b>V<sub>oc</sub></b>	The open circuit voltage of each module (see product label or datasheet)
<b>β</b>	Temperature coefficient of open circuit voltage of the module (refer to datasheet)
<b>T<sub>min</sub></b>	The lowest ambient temperature at installation site

The number of modules that can be connected shall be determined by a qualified institution or

person in accordance with the design specifications of the photovoltaic system and the local electrical design specifications. The calculation formula recommended by Hanersun shall be for reference only.

If the modules are allowed to be installed in parallel electrically, each module (or series string of modules so connected) shall be provided with the maximum series fuse as specified. For applications requiring high currents, several photovoltaic modules can be connected in parallel; the total current is equal to the sum of individual currents, each module (or series string of modules so connected) shall be provided with the maximum series fuse as specified. The recommended number of module in parallel is only one. The modules' electrical performance in a system is the same. When connected in series, all modules must have the same amperage. When connected in parallel, the modules must all have the same voltage. Connect the quantity of modules that match the voltage specifications of the devices used in the system. The modules must not be connected together to create a voltage that is higher than the permitted system voltage.

Product can be irreparably damaged if an array string is connected in reverse polarity to another. Always verify the voltage and polarity of each individual string before making a parallel connection. If you measure a reversed polarity or a difference of more than 10V between strings then check the string configuration before making the connection.

Before wiring the module, ensure that the contact points are corrosion resistant, clean and dry; If a string of modules is reversed, irreparable damage can be caused.

Each Hanersun PV module has two PV cables which can withstand 85°C temperature and they are sunlight resistant(UV). The cross-sectional area of the cable is 4mm<sup>2</sup> or 12AWG, and the external diameter is 5mm~7mm. The minimum bending radius of the cables must be 43mm. Any cable damage caused by bending too much or cable management system is not covered under Hanersun's warranty. Plug & Play connectors are included at the end of each cable. All other cables used to connect the direct current system shall have similar (or higher) specifications, and should have the suitable insulation ability which can suffer the possible maximum system  $V_{oc}$  (as defined in TUV 2PFG1169 or EN50618 (H1Z2Z2-K)). Hanersun requires all cables and electrical connections to comply with the electrical regulations of the countries where the PV system is installed.

All electrical performance parameters were obtained under standard test conditions (1000W/m<sup>2</sup>, 25±2°C, AM 1.5, according to IEC 60904-3). The tolerances of  $I_{sc}$ ,  $V_{oc}$  and  $P_{mpp}$  are ±3%. They can be found on the product label and in the product data sheet.

Temperature coefficient for voltage at open-circuit; (refer to data sheet);

Temperature coefficient for short-circuit current; (refer to data sheet);

Temperature coefficient for maximum power. (refer to data sheet);

For details about the NMOT of specific module, see the data sheet.

Under normal conditions, a PV module is likely to experience conditions that produce higher current and/or voltage than reported at standard test conditions. Accordingly, the values of  $I_{sc}$  and  $V_{oc}$  marked on this PV module should be multiplied by a factor of 1.25 at least when determining component voltage ratings, conductor current ratings, and size of controls (e.g. inverter) connected to the PV output.

When selecting a cable, the minimum current-carrying capacity of the cable can be calculated by the following formula.

Minimum current-carrying capacity of the cable =  $1.25 * I_{sc} * N_p$

$I_{sc}$ : short-circuit current of PV module (unit: A)

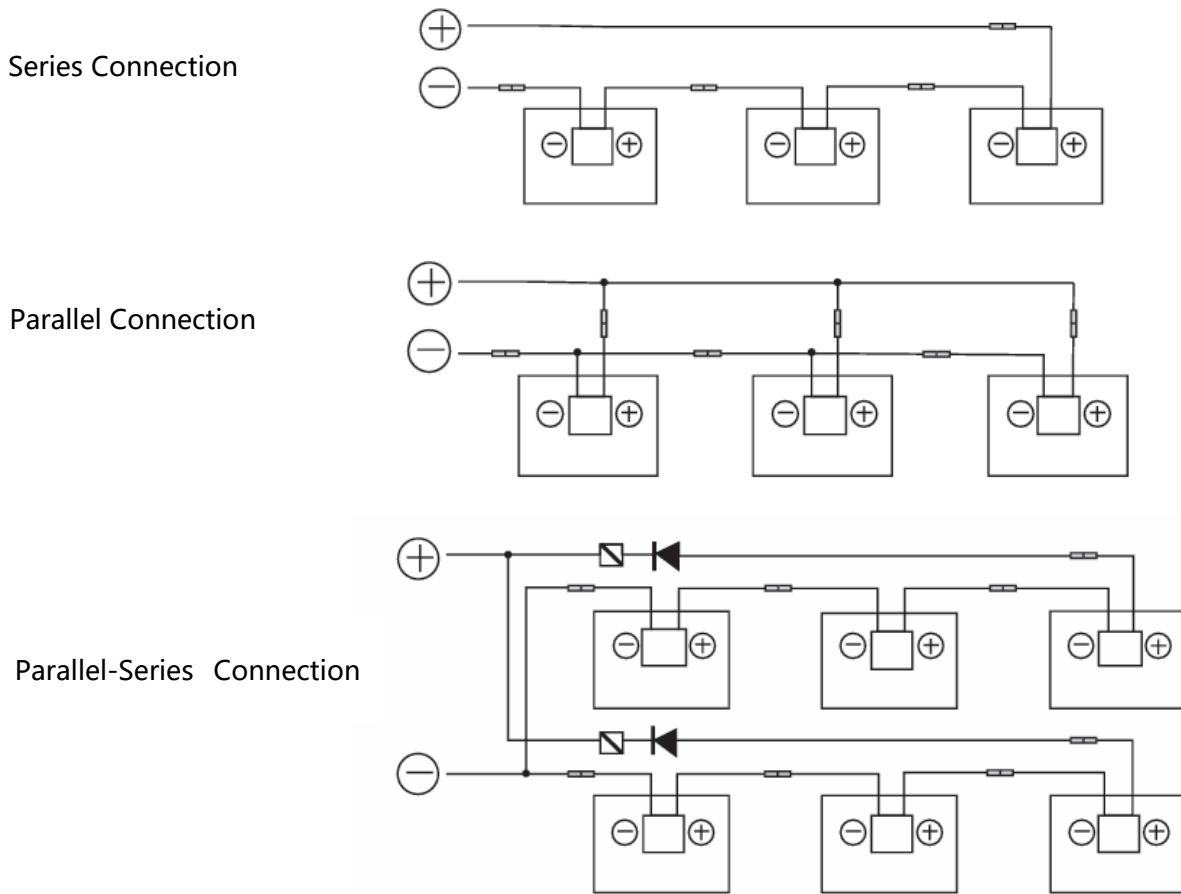
$N_p$ : the number of modules in parallel or module strings

To ensure proper system operation the correct cable connection polarity should be observed when connecting the modules to each other or to a load, such as inverter, a battery etc. If modules were not connected correctly, the bypass diodes could be destroyed. PV modules can be wired in series to increase voltage. A series connection is made when the wire from the positive terminal of one module is connected to the negative terminal of the next module. A parallel connection is made when the wire from the positive terminal of one module is connected to the positive terminal on the next module. Do not connect strings with Y or T connector without any anti-reverse devices. Do not connect fuse in Combiner Box or string inverter with two or more strings in parallel connection. It is must to use the combiner box or string inverter with anti-reverse function.

When conducting electrical connection of the modules, please use diagonal pliers to cut the cable tie. When cutting the tie, be careful not to scratch the cables or the backside of the module. According to the electrical requirements. The positive and negative connectors should be connected in turn, and confirm that you hear a "click" to indicate that the connection is successful. Otherwise, during the operation of the modules, this could lead to electric arc due to poor connections and can burn the connectors. It is not recommended to interconnect different types of connectors. Please pay attention that the unlock method of connectors is different according to local laws and regulations. Information on Hanersun-certified connectors is as follows:

Manufacturer: Zerun Co., Ltd. / Model: Z4S-abcd

Manufacturer: Stäubli Electrical Connectors AG / Models: PV-KST4-EVO2A/xy, PV-KBT4-EVO2A/xy



**Fig. 5-6 Module connection method**

Before the commissioning and operation of the power station, please check the electrical connection of modules and strings, making sure all connection polarity is correct and the open circuit voltage meets the requirements of the acceptance criteria.

The number of modules in series and in parallel shall be designed reasonably according to the system configuration.

To clear or trim excess cables and Hanersun recommends that all cables be placed in proper pipework and away from standing water.

Hanersun recommends using lightning protection devices which are complied with local laws and electrical regulations.

All the above instructions must be followed to meet Hanersun warranty conditions.

(3). Bypass secondary

If PV module part by shadow block, which can lead to reverse voltage related to solar cells, PV modules in other unaffected battery string or other PV modules in the system and current will force through keep out part of the power loss and heat affected cell. When the PV module is connected in parallel with the bypass diode, the current in the system will flow directly through the diode, so as to bypass the blocked part of the PV module and minimize the heating degree and power consumption of the PV module. Bypass diodes are not over-current protection devices.

Each module has three diodes. Please do not try to open the junction box to replace the diode, or even when the diode problem, please do this work by professionals.

#### (4). Grounding

All module frames and mounting racks must be properly grounded in accordance with the electrical design and construction specifications, procedures, regulations and other special grounding requirements applicable to the installation sites.

Proper grounding can be achieved by connecting the module frame(s) and all metallic structural components together by using a suitable grounding conductor. The grounding conductors or wires may be copper, alloy, or any other materials that are in accordance with the local electrical design and construction specifications, procedures, and regulations. The ground conductor must be reliably grounded by a suitable ground electrode.

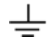
General grounding hardware comes in a package that includes the grounding screw, flat washer, star washer and wire and other relevant hardware should be made of stainless steel.

Do not drill any extra ground holes for convenience, this will void the modules warranty.

Hanersun does not provide grounding devices or materials. Any third-party grounding device that meets the requirements of the installation electrical equipment specifications can be used for grounding of Hanersun' s modules. The grounding device should be installed in accordance with the operating manual prescribed by the manufacturer.


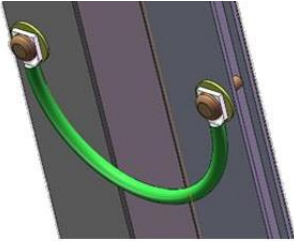
Hanersun recommends using grounding wires with resistances that are less than 1Ω.

The electrical contact is made by penetrating the anodized coating of the aluminum frame, and tightening the mounting screw (together with the star washer) to the proper torque of 3-7 N.m.

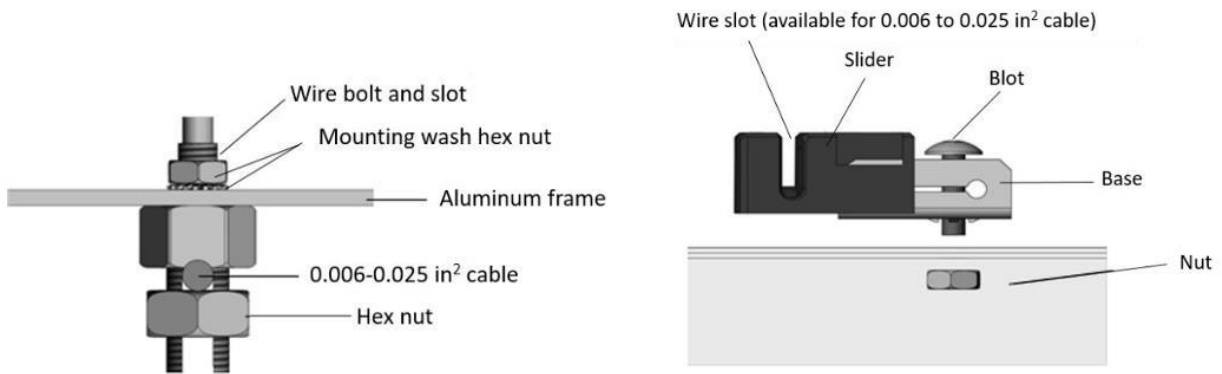
Grounding connections should be installed by a qualified electrician. Connect module frames together using adequate grounding cables: Grounding wire size (4-16mm<sup>2</sup>/12-6 AWG solid bare copper) should be selected and installed underneath the wire binding bolt. Holes provided for this purpose are identified with a grounding symbol "  " (IEC61730-1). All conductive connection junctions must be firmly fixed.

To avoid lightning strikes and ensure electrical safety, the module frames must be reliably

grounded. Grounding between modules can be done using a 4 mm<sup>2</sup> (12 AWG) solid bare copper that connects adjacent ground holes on the module frame (unused installation holes on the frame can also be used for grounding).

Components	View	Connection
		<p>Star washer, flat washer, grounding wire are placed in turn, then screwed into the grounding hole to bond the adjacent modules</p>

Hanersun recommends using the following two methods for grounding installation, as shown in Figure 6.



**Figure 6. PV module grounding methods**

## 6. MODULE MAINTENANCE

In order to ensure the long-term using of the installed PV system and maximize the power output performance of the modules, the installed PV modules need to be inspected and maintained regularly, which is the responsibility of the users. The inspection and maintenance of modules in the PV array shall be carried out by personnel who have received professional PV system maintenance training and obtained relevant qualifications and authorization.

### 6.1. PANEL VISUAL INSPECTION AND REPLACEMENT

The modules in a PV array should be regularly checked for damage. Factors such as glass breakage, cable breakage, junction box damage and the terminals cannot be connected well may lead to function and safety problems. In the case of a damaged module, replace it with the same type of module. Do not touch live parts of cables and connectors. Use appropriate safety equipment (insulated tools, insulating gloves, etc.) when handling modules. Refer to the appropriate Product Installation Manual for installation and disassembly of module.

Check the electrical, grounding and mechanical connections every 6 months to ensure they are clean and safe, free from damage or rust. Check that all string fuses in each non/earthed pole are operating. Check that the mounting parts are tight. Check all cables and make sure that the connectors are securely. PV modules frames and bracket should be well mechanically connected.

Check whether there is any foreign body on the surface of the PV modules and whether there is any shielding. The vegetation should be cut regularly to avoid shading and thus affecting the module's performance.

When repairing PV modules, cover the surface of PV modules with opaque material to prevent electric shock. Exposure of PV modules to sunlight will generate high voltages, this is dangerous. Please pay attention to safety when maintenance and it must be done by professionals.

Wear cut resistant gloves and other personal protective equipment required for the particular installation. Isolate the impacted array string to prevent current flow before attempting to remove the module. Disconnect the connectors of the affected module using the related disconnect tool provided by suppliers. Replace the damaged module with a new functional module of the same type.

In a system using a battery, blocking diodes are typically placed between the battery and the PV module output to prevent battery discharge at night.

When the irradiance is no less than  $200\text{W}/\text{m}^2$ , if the terminal voltage is more than 5% different than the rated value, it illustrates the connection of the modules is not good.

Comply with maintenance instructions for all modules used in the PV system, such as brackets, charging rectifiers, inverters, batteries, lightning protection systems, etc.

**Warning:** The warning signs on the PV modules must not be lost. Any electrical maintenance must shut down the PV system firstly. Improper system maintenance may cause fatal dangers such as electric shock and burning. Observe the safety precautions listed earlier in this Manual.

## 6.2. CONNECTOR AND CABLE INSPECTION

It's recommended to implement the following preventive maintenance every 6 months:

(1). Check the sealing gels of the junction box for any damage.

(2). Examine the PV module(s) for signs of deterioration. Check all wiring for possible rodent damage, weathering and that all connections are tight and corrosion free. Check electrical leakage to ground.

(3). Inspect all cables to verify that connections are tight, the cables are protected from direct sunlight and sited away from areas of water collection.

(4). Check the torque of terminal bolts and the general condition of wiring. Also, check that mounting hardware is properly torqued. Loose connections will result in damage to the array.

### 6.3. CLEANING

Dust accumulation on the glass surface of the module will reduce its power output and may cause hot spots. So the surface of PV modules should be kept clean. Maintenance work should be performed at least once six months or frequently.

**Warning:** It should be carried out by trained personnel. Workers should wear PPE, such as goggles, electric insulation gloves and safety shoes. The gloves should withstand DC voltages of no less than 2000V.

Cleaning activities create risk of damaging the modules and array components, as well as increasing the potential electric shock hazard. Cracked or broken modules represent an electric shock hazard due to leakage currents, and the risk of shock is increased when modules are wet. Before cleaning, thoroughly inspect modules for cracks, damage, and loose connections.

Please make sure that the array has been disconnected from other active components before starting the cleaning. Do not immerse the module, partially or totally, in water or any other cleaning solutions.

Use dry or wet soft cloths, sponges, etc. to clean the modules during the cleaning process, but do not put any modules directly into the water, do not use corrosive solvents and do not wipe the PV modules with hard objects. When the pressure water is used, the water pressure on the glass surface of the module must not exceed 700 KPa. The module must not be subjected to additional external force. If there is greasy dirt and other substances on the surface of the PV module which are difficult to clean, conventional household glass cleaning agents can be used; Do not use the alkaline and strong acid solvents. If necessary, use isopropyl alcohol (IPA) or other solution according to the safety instructions

to clean and ensure that no solution flows into the gap between the edge of the module and the module frame.

Clean PV modules when the irradiance is below 200W/m<sup>2</sup>. When cleaning the modules, use a soft cloth together with a mild detergent and clean water. Take care to avoid severe thermal shocks which might damage the module by cleaning modules with water which make sure the temperature difference between the water and the module is in the range of -5°C ~ 10°C. For example, do not use cold water to clean the module when the temperature of it is high during the day, otherwise there will be the risk of module damage.

It is forbidden to clean PV modules under the weather conditions of wind more than 4 grades (in Beaufort scale), heavy rain or heavy snow.

When cleaning PV modules, Do not step on the modules; Do not spray water on the backside of the module or the cables; keep the connectors clean and dry; prevent fire and electrical shock from occurring; Do not use as steam cleaner.

The back surface of the module normally does not need to be cleaned but, in the event this is deemed necessary, avoid the use of any sharp projects that might damage the penetrating the substrate material.

When cleaning the back surface of the module, take care to avoid penetrating the substrate material. Modules that are mounted flat (0° tilt angle) should be cleaned more often, as they will NOT "self-clean" as effectively as modules mounted at a 10° tilt or greater.

Do not scrape or grind stains off surfaces while PV modules are dry, as this can cause minor scratches on the surface.

### 6.3.1 CLEANING METHODS

#### **Method A: Compressed water**

Requirement for water quality:

- (1). pH: 5 ~ 7;
- (2). Chloride or salt content: 0 ~ 3000 mg/L;
- (3). Turbidity: 0 ~ 30 NTU;
- (4). Conductivity: 1500 ~ 3000 μs/cm;
- (5). Total dissolved solids (TDS): ≤1000 mg/L;
- (6). Water hardness (calcium and magnesium ions): 0 ~ 40 mg/L;
- (7). Non-alkaline water must be used, and softened water can be used when conditions permitted.

**Method B: Compressed Air**

Hanersun recommends using this method to clean the soft dirt (like dust) on modules. This technique can be applied as long as the method is efficient enough to clean the modules considering the on-site conditions.

**Method C: Wet cleaning**

If excessive soiling is present on the module surface, a non-conductive brush, sponge, or other mild agitating method may be used with caution.

Please make sure that any brushes or agitating tools are constructed with non-conductive materials to minimize risk of electric shock and that they are not abrasive to the glass or the aluminum frame.

If grease is present, an environmentally friendly cleaning agent may be used with caution.

**Method D: Cleaning robot**

If a cleaning robot is used for dry cleaning, the brush material is required to be soft plastic material, and the glass surface and aluminum alloy frame of the module will not be scratched during the cleaning process and after cleaning. The weight of the cleaning robot should not be too large. If the cleaning robot is improperly used, and the resulting module damage and power attenuation are not covered by Hanersun's warranty.

**6.3.2. MODULE INSPECTION AFTER CLEANING**

- (1). Ensure that the module under visual inspection is clean, bright and free of stains;
- (2). Spot check to verify whether there is soot deposit on the module surface;
- (3). Check to whether there are visible scratches on the surface of the module or not;
- (4). Check whether there is no man-made cracks on the module surface or not;
- (5). Check whether the module support structure is leaning or bent or not;
- (6). Check whether the connectors of the module are detached or not;
- (7). After cleaning, fill out the PV module cleaning record.

### 6.3.3. TROUBLESHOOTING

If the PV system does not work properly, please inform your installer immediately. It is recommended to perform a preventive inspection every six months, please don't change any modules of the modules. If electrical or mechanical properties are required for inspection or maintenance, qualified professionals should be advised to avoid any electric shock or loss of life.

## 7. ELECTRICAL SPECIFICATION

The electrical properties of the components were measured under standard test condition. In some cases, the component may produce a voltage or current value higher or lower than the rated value. For specific electrical performance parameters, refer to the datasheet in the QR code below.




**HANERSUN**



## **Hanersun Energy Co., Ltd.**

 10F, Building B4, No.19, Suyuan Avenue, Jiangning District, Nanjing, China

 211100

 +86-25-5279-1766

 sales@hanersun.com

 [www.hanersun.com/contact-us](http://www.hanersun.com/contact-us)